

LONG REACH STARTING BLOCK TURN PANEL

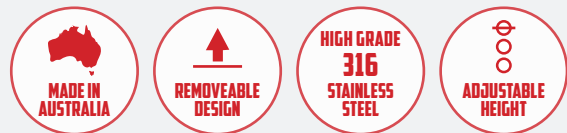


Long Reach Starting Block Turn Panel

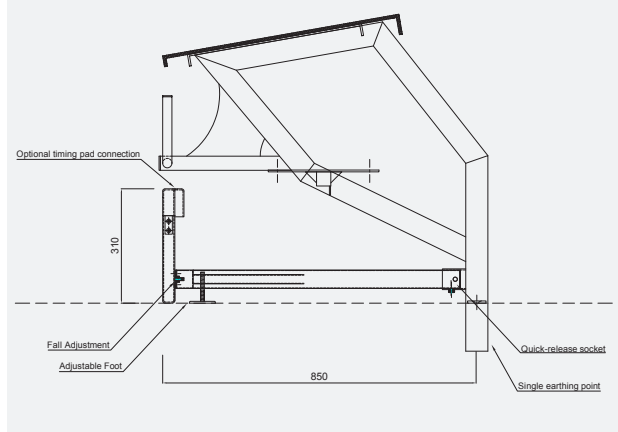
The long Reach block Turn Panel attaches to the starting block base and creates a non-slip endwall for tumble turns. Vertical adjustments can be made to accommodate the fall of the pool and optional attachment points are available for timing pads. The turn panel can be easily removed from the socket and stored when not in use. Available in two sizes: 2m & 2.4m width.

- Suitable for LR850 starting block bases
- 316 stainless steel with non-slip replaceable grating
- No additional core drilling & deck sockets required
- No additional earthing (single earthing point in block anchor)
- Adjustable foot removes any up or down movement
- Adjustable front panel accommodates fall of pool deck

+ Optional timing pad brackets available



AVAILABLE LENGTHS



Long Reach Starting Block Turn Panel

Model/Item No.	Description	SHIPPING			
		Weight	Length	Width	Height
LR850-2MTURNPANEL	Long Reach Block Turn Panels - 2m	15kg	2400mm	210mm	800mm
LR850-2.4MTURNPANEL	Long Reach Block Turn Panels - 2.4m	15kg	2000mm	210mm	800mm